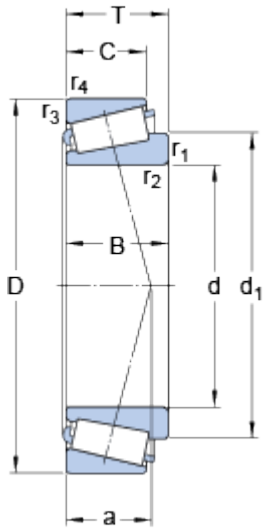


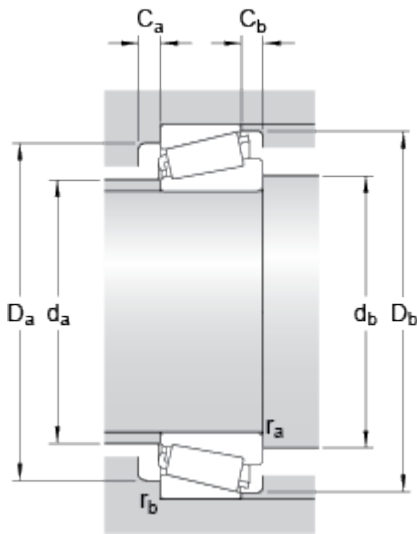
T7FC 060/QCL7C

Dimensions



d		60	mm
D		125	mm
T		37	mm
d ₁	≈	97.2	mm
B		33.5	mm
C		26	mm
r _{1,2}	min.	3	mm
r _{3,4}	min.	3	mm
a		41	mm

Abutment dimensions



d _a	max.	72	mm
d _b	min.	72.5	mm
D _a	min.	94	mm
D _a	max.	113.5	mm
D _b	min.	119	mm
C _a	min.	4	mm
C _b	min.	11	mm
r _a	max.	2.5	mm
r _b	max.	2.5	mm

Calculation data

Basic dynamic load rating	C	154	kN
Basic static load rating	C ₀	204	kN
Fatigue load limit	P _u	24.5	kN
Reference speed		3600	r/min
Limiting speed		5300	r/min
Calculation factor	e	0.83	
Calculation factor	Y	0.72	

Calculation factor

Y_0

0.4

Mass

Mass bearing

2.07

kg